



The system 181

FOR pH, DISSOLVED OXYGEN, TURBIDITY OR CONDUCTIVITY –
EASY. DIGITAL. RELIABLE.



a xylem brand

Controller 181 –

- IQ entry level - one controller, one sensor
- Digital – for reliable data transfer
- WTW quality – proven, robust, durable

Great technology at low price

Get decades of experience from WTW and use the established technology. With the excellent cost-performance ratio you can save time, work and money!



pH

D.O.

Turb

Cond

Flexibility

Our digital controller DIQ/S 181 for pH, dissolved oxygen, turbidity or conductivity enables sensor changes at any time - and cable lengths of up to 250 m.

1 Controller. 1 Sensor.

Get started into the digital world and stay sustainable with the state-of-the-art technique. No preamplifier, reliable data transfer, automatic sensor recognition!



Applications

Developed for wastewater, successfully in drinking water and process for years: The robust products of WTW are made for any application. Try it yourself!



In drinking water: SensoLyt® 700 IQ F for different pH ranges



In the aeration: calibration free FDO 700 IQ F for dissolved oxygen



In the outlet: VisoTurb® 700 IQ F turbidity sensor with ultrasonic cleaning

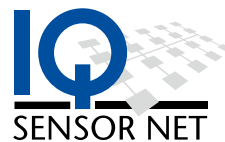


In the process: TetraCon® 700 IQ F 4 electrodes conductivity cell

Your benefits at a glance

You want to replace or renew your analog measuring point? Then the WTW system 181 offers an extremely cost-effective solution:

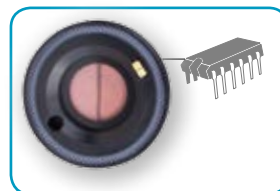
- reliable by proven technique
- cost-effective in purchase and maintenance
- durable by robust manufacturing
- low maintenance turbidity sensor by ultrasonic cleaning
- calibration free optical D.O. sensor



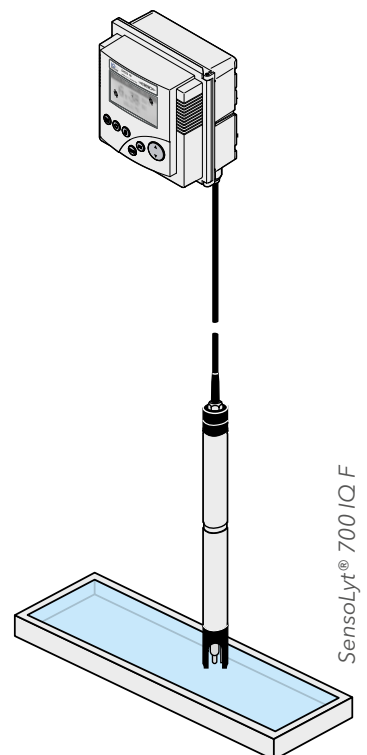
Robust technique by stainless steel



Ultrasonic cleaning for turbidity



Calibration free D.O. sensor cap



The system 181 at the web



Detailed technical data and mounting accessories you can find under www.wtw.de/en/iqsn-181 (For convenience use our QR code).

Technical data

Connectable sensors	1 sensor with 10 m fixed cable
Current outputs and relays	2 x (0) 4-20 mA 3 x relays
Parameters	pH 0 ... 14 (e.g. with electrode SensoLyt® DWA) ORP ±2000 mV Cond 10 µS/cm ... 500 mS/cm D.O. 0.0 ... 60.0 mg/l bzw. 0 ... 600 % (electrochemical) D.O. 0 ... 20.00 mg/l bzw. 0 ... 200.0 % (optical) Turbidity 0.05 ... 4000 FNU
Cable length sensor	10 m fixed cable
Max. total cable length	250m (DIQ/JB and SNCIQ Cable per meter are required)
Power supply	Wide range mains converter (100-240VAC) or 24V
Connectable modules	DIQ/CHV (Cleaning Head Valve)

Order information

Model	Description	Order No.
Controller		
DIQ/S 181	Universal controller to connect 1 digital IQ F-sensor, with 2 x (0)4-20 mA and 3 x relays.	472 100
DIQ/S 181/24V	Universal controller to connect 1 digital IQ F-sensor, with 2 x (0)4-20 mA and 3 x relays, for 24 V AC/DC power supply.	472 101
Sensors		
SensoLyt® 700 IQ F	pH/ORP sensor with 10 m fixed cable for SensoLyt® electrodes.	109 177
TriOxmatic® 700 IQ F	D.O. sensor with 10 m fixed cable, supplied with accessory kit (ZBK 600).	201 643
FDO 700 IQ F	Calibration free optical D.O. sensor with 10 m fixed cable, factory calibrated.	201 656
FDO 701 IQ F	Calibration free optical D.O. sensor with 10 m fixed cable, factory calibrated, with fast response.	201 658
TetraCon® 700 IQ F	4 electrode conductivity cell with 10 m fixed cable.	302 507
VisoTurb® 700 IQ F	Turbidity sensor with 10 m fixed cable and ultrasonic cleaning.	600 007
SensoLyt® electrodes		
SensoLyt® SEA	pH electrode, measuring range 2 ... 12 pH, for use with SensoLyt® 700 IQ F	109 115
SensoLyt® SEA-HP	pH electrode, measuring range 4 ... 12 pH, for use with SensoLyt® 700 IQ F	109 118
SensoLyt® DWA	pH electrode, measuring range 0 ... 14 pH, for use with SensoLyt® 700 IQ F	109 119
SensoLyt® ECA	pH electrode, measuring range 2 ... 12 pH, for use with SensoLyt® 700 IQ F	109 117
SensoLyt® PtA	ORP electrode, measuring range ±2000 mV, for use with SensoLyt® 700 IQ F	109 125



Xylem Analytics Germany Sales GmbH & Co. KG, WTW · Dr.-Karl-Slevogt-Straße 1 · D-82362 Weilheim · Germany
Phone: +49 881 183-0 · Fax: +49 881 183-420 · E-Mail: Info.WTW@Xyleminc.com · www.WTW.com

All names are registered tradenames or trademarks of Xylem Inc. or one of its subsidiaries. Technical changes reserved.
© 2017 Xylem Analytics Germany Sales GmbH & Co. KG.

999148US

Dezember 2017

